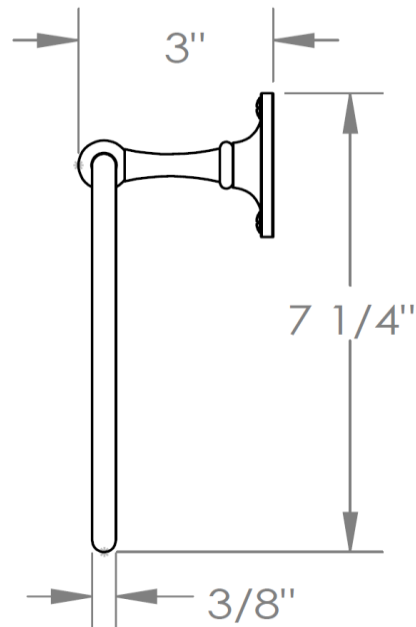
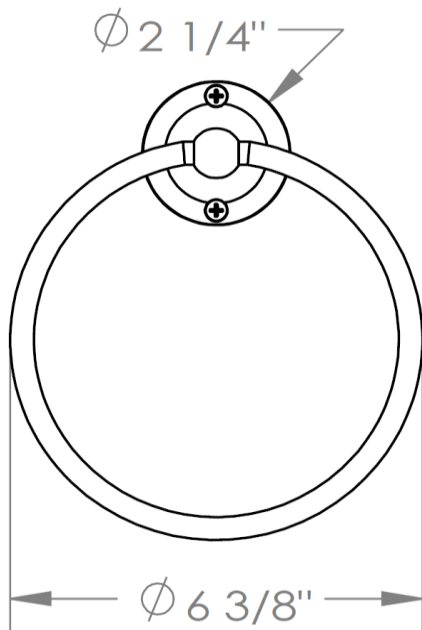


321-0.3
Towel Ring



WATERMARK DESIGNS 1/21/2015